



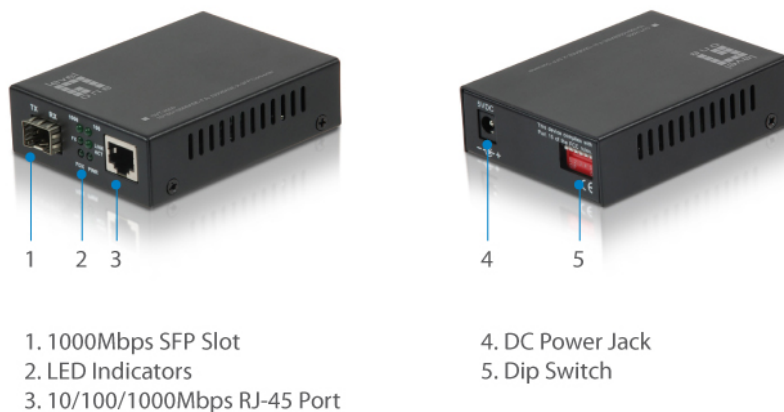
GVT-2000 Version: 1

10/100/1000BASE-T-zu-1000BASE-X-SFP-Wandler

The GVT-2000 media converter is able to convert network signals between copper and fiber-optic based networks. The converter provides a SFP slot for 1000Base-X Gigabit optic module and a 10/100/1000Base-T RJ-45 port, supports full duplex and half duplex switch connectivity and 10Base-T, 100Base-TX and 1000Base-T auto-sensing.

The device features built-in Dip switches for easy converter configuration, which function on the Smart LFP (Link Fault Pass-through), allowing the converter to monitor both the fiber and copper ports for signal loss, as well as cut through and smart pass through mode.

The GVT-2000 is able to operate in temperatures from -10° up to 55° Celsius. The converter can be used as a standalone unit or as a slide-in module to the CHV-2000 19" converter rack, which can accommodate up to 14 units for use in a central wiring closet.



1. 1000Mbps SFP Slot
2. LED Indicators
3. 10/100/1000Mbps RJ-45 Port

4. DC Power Jack
5. Dip Switch

Key Features

- Überträgt Daten von 10/100/1000Base-T-Kupfer- zu Glasfaserschnittstellen
- SFP-Steckplatz unterstützt steckfähige optische Gigabit-Module, wodurch Sie aus einer Vielzahl von Transceivern wählen können
- 9K-Jumbo-Frames für bessere Datenübertragungsraten
- Integrierte LFP- (Link Fault Pass-through) Technologie
- IEEE-802.3x-Überwachung schützt vor verloren gegangenen Paketen und sorgt für zuverlässige



- Datenübertragung
- Kippschalter zur angepassten Konfiguration
 - Unterstützt Übertragung mit geringer Zeitverzögerung
 - Unterstützt Übertragung extralanger Pakete bis 1,6 kB
 - -10°C ~ 55°C Betriebstemperaturbereich

Works Well With



CVH-2000
14-Slot Media Konverter Gehäuse



GVT-2001
10/100/1000BASE-T-zu-1000BASE-SX-MMF-SC-Wandler, 550 m

Specifications

System Specifications

Connectors and Cabling:

Fiber SFP slot; RJ-45 Port CAT-5/5e Twisted Pair cable Auto MDI/MDI-X (Max to 100m) and Auto-Negotiation

Wavelength(nm):

depend on SFP module

Indicator:

PWR,TX (FDX, 100, 1000, Link/Act), FX Link/Act

Transmission Method:

Store and forward (Default)

Power:

DC 5V/2A

Standards & Protocols:

IEEE 802.3 10-BASE-T, Ethernet
IEEE 802.3u 100-BASE-TX, Fast Ethernet
IEEE 802.3ab 1000BASE-T, Gigabit Ethernet
IEEE 802.3x Flow Control (full-duplex flow control)
IEEE802.3z 1000Base-SX/LX,

Features

General:

DIP Switch 1: LFP function
DIP Switch 2 and 3 performance 4 types work mode
DIP Switch 2 and 3 is OFF = Store and forward
DIP Switch 2 is OFF, 3 is ON = Cut through mode
DIP Switch 2 is ON, 3 is OFF = Smart pass through
DIP Switch 2 and 3 is ON = Pass through mode

Performance

Operating Distance:

Depend on SFP Module

Environment

Temperature (°C):

Storage: -40 ~75 °C

Operating: -10 ~ 55 °C

Humidity (Non-condensing):

5 ~ 90 %

Physical Specifications

Dimensions (W x D x H mm):

71 x 94 x 26 mm

Weight (g):

420 g

Others

Approval and Compliance:

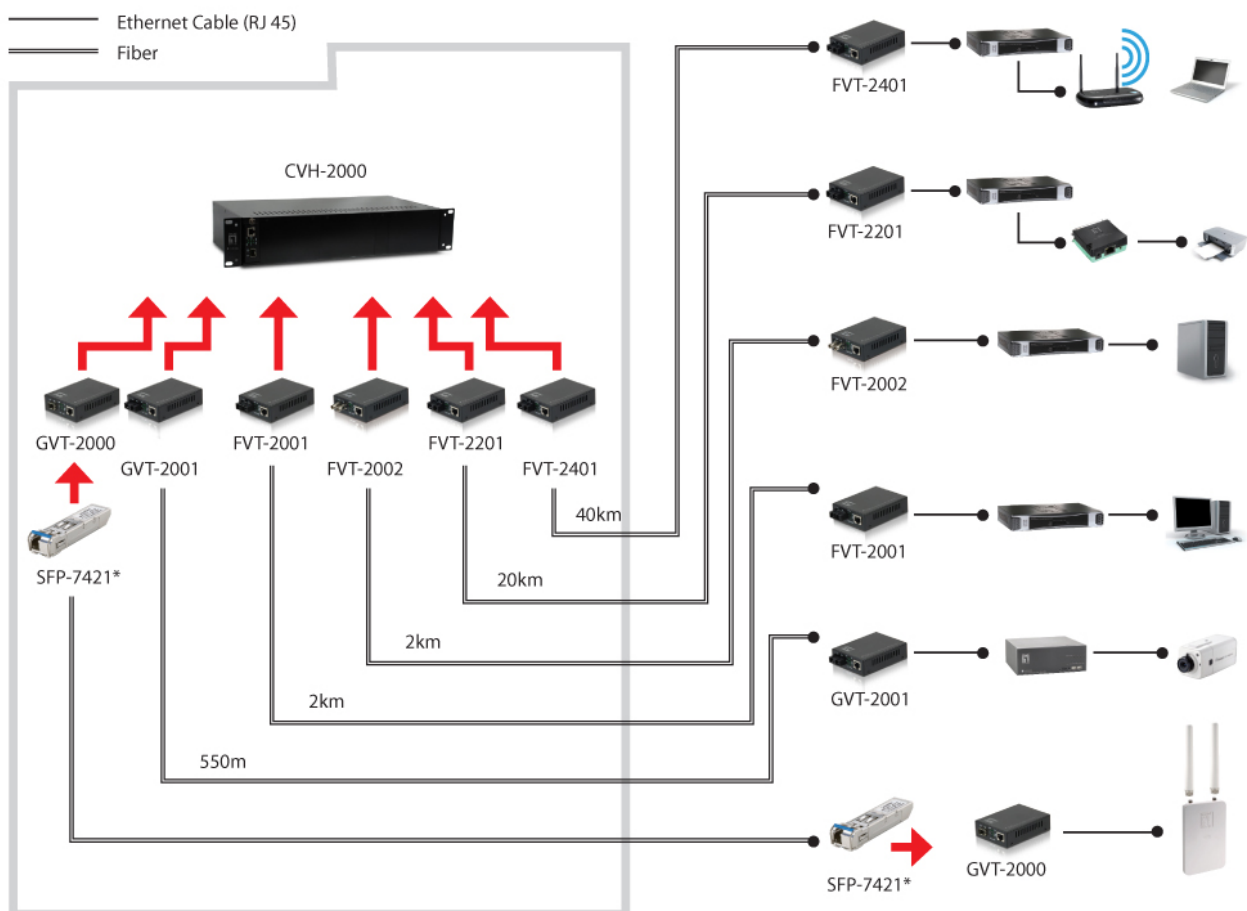
CE, FCC

Deployment:

Desk, chassis mounted

Diagramm

Dimension Diagram



*In above example diagram, converter modules at local and remote ends should be paired for proper connectivity, and the distance mainly depends on cable and transceiver selection accordingly.



Order Information

GVT-2000

Package Contents

GVT-2000
Netzadapter
Quick Installation Guide

Zubehör



CVH-2000
14-Slot Media Konverter Gehäuse

All mentioned brand names are registered trademarks and property of their owners.
Copyright © Digital Data Communications GmbH, Germany. All Rights Reserved.