



GVT-2001 Version: 1

10/100/1000BASE-T-zu-1000BASE-SX-MMF-SC-Wandler, 550 m

The GVT-2001 MMF SC media converter is able to convert network signals between copper and fiber-optic based networks. The converter provides a 10/100/1000Base-T RJ-45 port, supports full duplex and half duplex switch connectivity and 10Base-T, 100Base-TX and 1000Base-T auto-sensing. Used in multi-mode with fibre-optic cabling, this can extend a network range up to 550m.

The device features built-in Dip switches for easy converter configuration, which function on the Smart LFP (Link Fault Pass-through), allowing the converter to monitor both the fiber and copper ports for signal loss, as well as cut through and smart pass through mode.

The GVT-2001 is able to operate in temperatures from -10° up to 55° Celsius. The converter can be used as a standalone unit or as a slide-in module to the CHV-2000 19" converter rack, which can accommodate up to 14 units for use in a central wiring closet.



1. 10/100/1000Mbps Fiber Port
2. LED Indicators
3. 10/100/1000Mbps RJ-45 Port



4. DC Power Jack
5. Dip Switch

Key Features

- Überträgt Daten von 10/100/1000Base-T-Kupfer- zu Glasfaserschnittstellen
- 1000Base-SX -Multi-Modus-Glasfaser für Verbindung bis 550m
- 9K-Jumbo-Frames für bessere Datenübertragungsraten
- Integrierte LFP- (Link Fault Pass-through) Technologie



- IEEE-802.3x-Überwachung schützt vor verloren gegangenen Paketen und sorgt für zuverlässige Datenübertragung
- Kippschalter zur angepassten Konfiguration
- Unterstützt Übertragung mit geringer Zeitverzögerung
- Unterstützt Übertragung extralanger Pakete bis 1,6 kB
- -10°C ~ 55°C Betriebstemperaturbereich

Works Well With



CVH-2000
14-Slot Media Konverter Gehäuse



GVT-2000
10/100/1000BASE-T-zu-1000BASE-X-SFP-Wandler

Specifications

System Specifications

Connectors and Cabling:

Fiber Duplex SC (550m);RJ-45 Port CAT-5/5e Twisted Pair cable Auto MDI/MDI-X (Max to 100m) and Auto-Negotiation

Wavelength(nm):

850nm

Indicator:

PWR,TX (FDX, 100, 1000, Link/Act), FX Link/Act

Transmission Method:

Store and forward (Default)

Power:

DC 5V/2A

Standards & Protocols:

IEEE 802.3 10-BASE-T, Ethernet

IEEE 802.3u 100-BASE-TX, Fast Ethernet

IEEE 802.3ab 1000BASE-T, Gigabit Ethernet

IEEE 802.3x Flow Control (full-duplex flow control)

IEEE802.3z 1000Base-SX/LX,

Features

General:

DIP Switch 1: LFP function

DIP Switch 2 and 3 performance 4 types work mode

DIP Switch 2 and 3 is OFF = Store and forward

DIP Switch 2 is OFF, 3 is ON = Cut through mode

DIP Switch 2 is ON, 3 is OFF = Smart pass through

DIP Switch 2 and 3 is ON = Pass through mode

Performance

Operating Distance:

550 m

Environment

Temperature (°C):

Storage: -40 ~75 °C

Operating: -10 ~ 55 °C

Humidity (Non-condensing):

5 ~ 90 %

Physical Specifications

Dimensions (W x D x H mm):

71 x 94 x 26 mm

Weight (g):

420 g

Others

Approval and Compliance:

CE, FCC

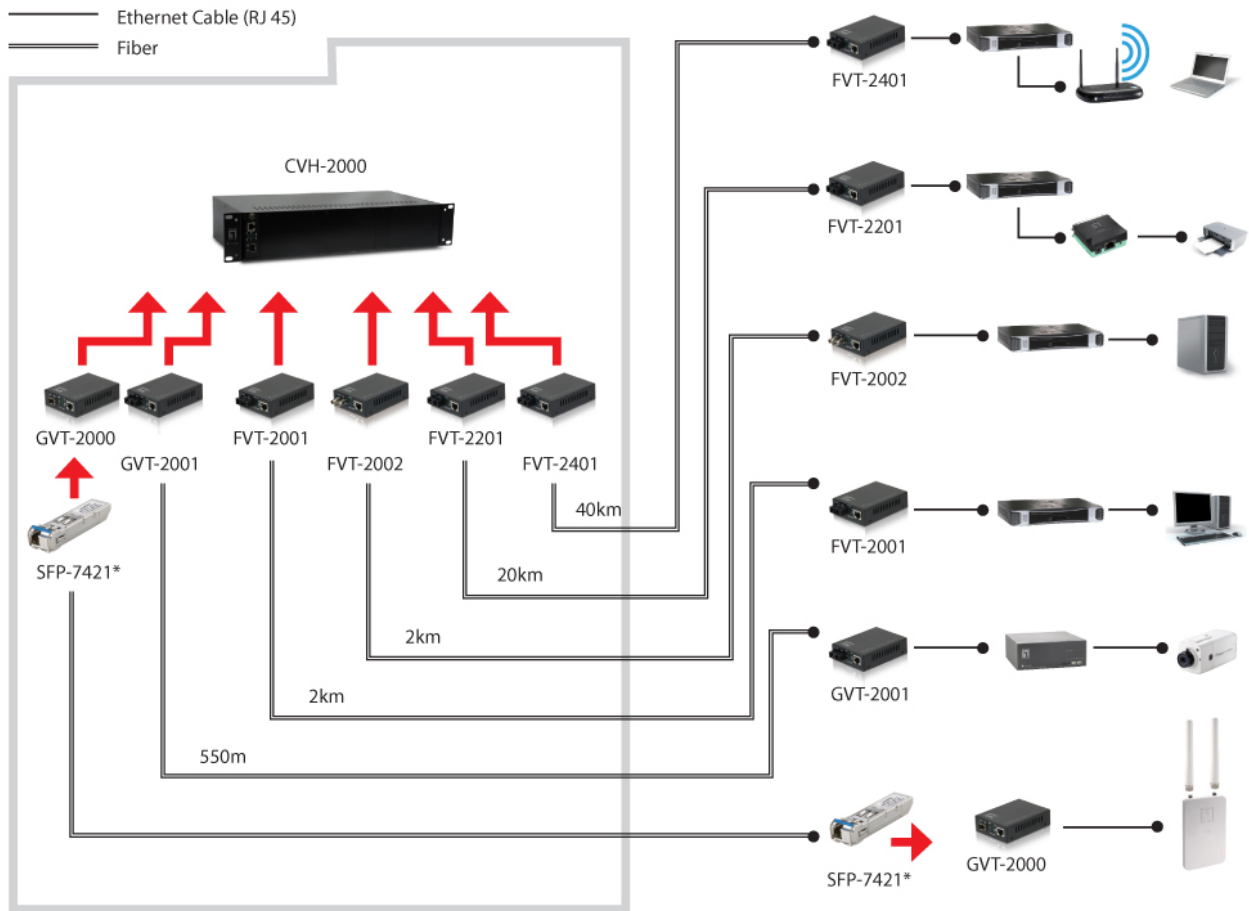
Deployment:

Desk, chassis mounted



Diagramm

Dimension Diagram



*In above example diagram, converter modules at local and remote ends should be paired for proper connectivity, and the distance mainly depends on cable and transceiver selection accordingly.

Order Information

GVT-2001

Package Contents

- Netzadapter
- Quick Installation Guide

Zubehör



CVH-2000
 14-Slot Media Konverter Gehäuse

No liability or responsibility for any errors or omissions in the content.
 Specifications are subject to change without notice.

All mentioned brand names are registered trademarks and property of their owners.
Copyright © Digital Data Communications GmbH, Germany. All Rights Reserved.